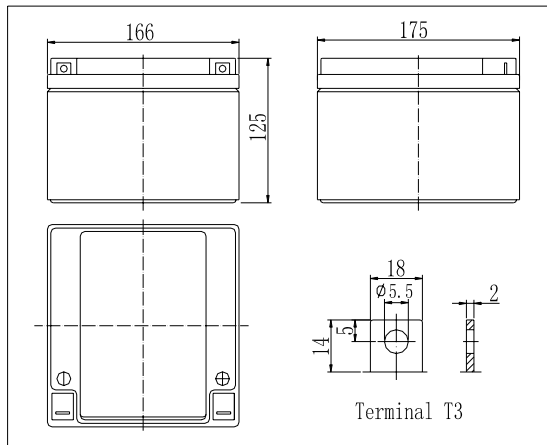


Dimensions

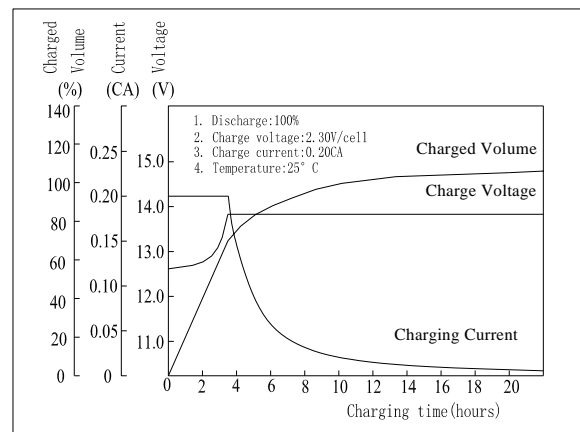


Specifications

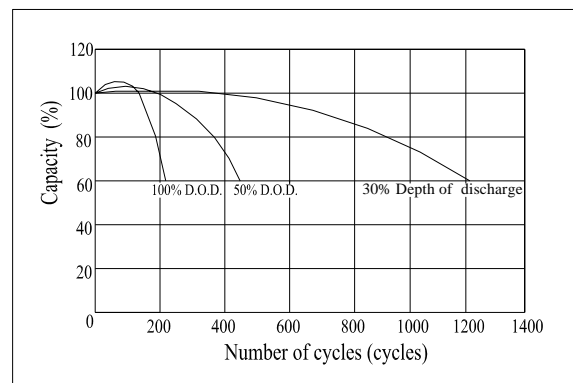
Nominal Voltage	12 V	
Capacity(20HR, 25°C)	24Ah	
Dimension	Length	166mm (6.54inch)
	Width	175mm (6.89inch)
	Height	125mm (4.92inch)
	Total Height	125mm (4.92inch)
Approx. Weight	8.2kg (18.1lbs)	
Internal resistance (Fully charged, 25°C)	Approx. 12mΩ	
Capacity affected by temperature (20HR)	40°C	102%
	25°C	100%
	0°C	85%
	-15°C	65%
Self-discharge (25°C)	3 month	Remaining Capacity: 91%
	6 month	Remaining Capacity: 82%
	12 month	Remaining Capacity: 65%
Nominal operating temperature	25°C ± 3°C (77°F ± 5°F)	
Operating temperature range	-15°C ~ 50°C (5°F ~ 122°F)	
Float charging voltage(25°C)	13.60 to 13.80V	
Cyclic charging voltage(25°C)	14.50 to 14.90V	
Maximum charging current	9.6A	
Terminal material	Copper	
Maximum discharge current	360A(5 sec.)	

- ◆ Absorbent glass mat technology;
- ◆ Recognized by UL & CE;
- ◆ ABS container.

Charging Characteristics(25°C)



Cycle Life(25°C)



Note: Floating life at 20°C designed for 5 years.

Constant Current Discharge Characteristics (A, 25°C)

F.V/TIME	5min	10min	15min	30min	60min	3h	5h	10h	20h
9.60V	84.0	52.8	42.0	25.2	14.4	5.85	3.90	2.19	1.22
10.2V	79.8	50.2	40.3	24.2	13.8	5.76	3.84	2.17	1.21
10.8V	75.0	47.2	38.3	23.0	13.1	5.64	3.76	2.16	1.20

Constant Power Discharge Characteristics (Watt, 25°C)

F.V/TIME	5min	10min	15min	30min	60min	3h	5h	10h	20h
9.60V	937	596	479	289	167	69.5	46.5	26.3	14.6
10.2V	891	566	460	277	160	68.4	45.8	26.1	14.5
10.8V	837	532	437	263	152	67.1	44.9	26.1	14.4