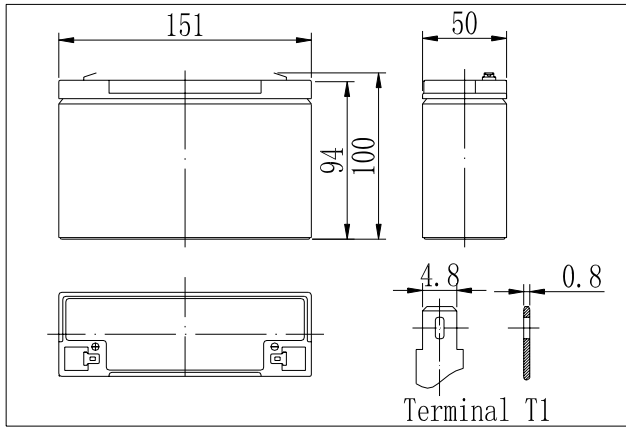


Dimensions

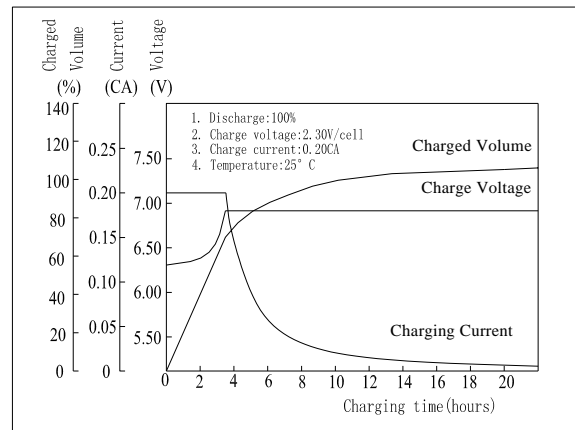


Specifications

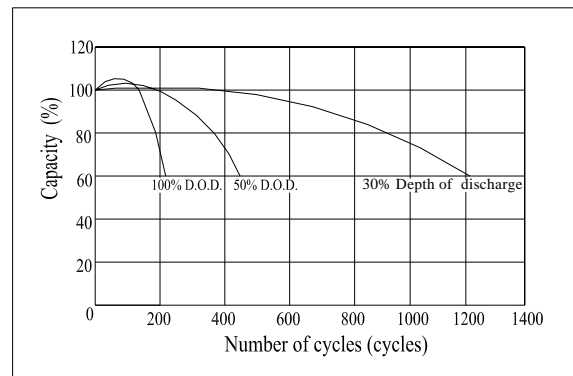
Nominal Voltage	6 V	
Capacity(20HR, 25°C)	10Ah	
Dimension	Length	151mm (5.94inch)
	Width	50mm (1.97inch)
	Height	94mm (3.70inch)
	Total Height	100mm (3.94inch)
Approx. Weight	1.6kg (3.53lbs)	
Internal resistance (Fully charged, 25°C)	Approx. 12mΩ	
Capacity affected by temperature (20HR)	40°C	102%
	25°C	100%
	0°C	85%
	-15°C	65%
Self-discharge (25°C)	3 month	Remaining Capacity: 91%
	6 month	Remaining Capacity: 82%
	12 month	Remaining Capacity: 65%
Nominal operating temperature	25°C ± 3°C (77°F ± 5°F)	
Operating temperature range	-15°C ~ 50°C (5°F ~ 122°F)	
Float charging voltage(25°C)	6.80 to 6.90V	
Cyclic charging voltage(25°C)	7.25 to 7.45V	
Maximum charging current	3A	
Terminal material	Copper	
Maximum discharge current	150A(5 sec.)	

- ◆ Absorbent glass mat technology;
- ◆ Recognized by UL & CE;
- ◆ ABS container.

Charging Characteristics(25°C)



Cycle Life(25°C)



Note: Floating life at 20°C designed for 5 years.

Constant Current Discharge Characteristics (A, 25°C)

F.V/TIME	5min	10min	15min	30min	60min	3h	5h	10h	20h
4.80V	40.0	26.0	20.0	11.5	6.70	2.64	1.78	0.96	0.51
5.10V	38.0	24.7	19.2	11.0	6.43	2.60	1.75	0.96	0.50
5.40V	35.7	23.2	18.2	10.5	6.11	2.55	1.72	0.95	0.50

Constant Power Discharge Characteristics (Watt, 25°C)

F.V/TIME	5min	10min	15min	30min	60min	3h	5h	10h	20h
4.80V	223	147	114	65.9	38.8	15.7	10.6	5.79	3.05
5.10V	212	139	109	63.3	37.2	15.4	10.4	5.73	3.02
5.40V	199	131	104	60.1	35.4	15.1	10.2	5.73	3.00